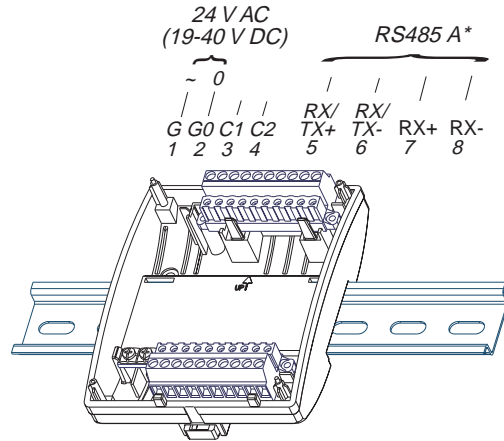
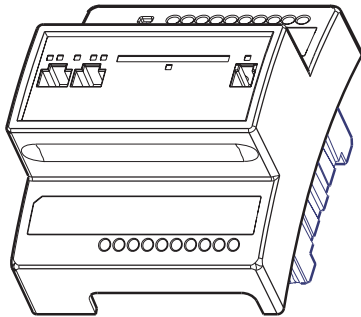




TAC Xenta® 511, 527, 911, 913

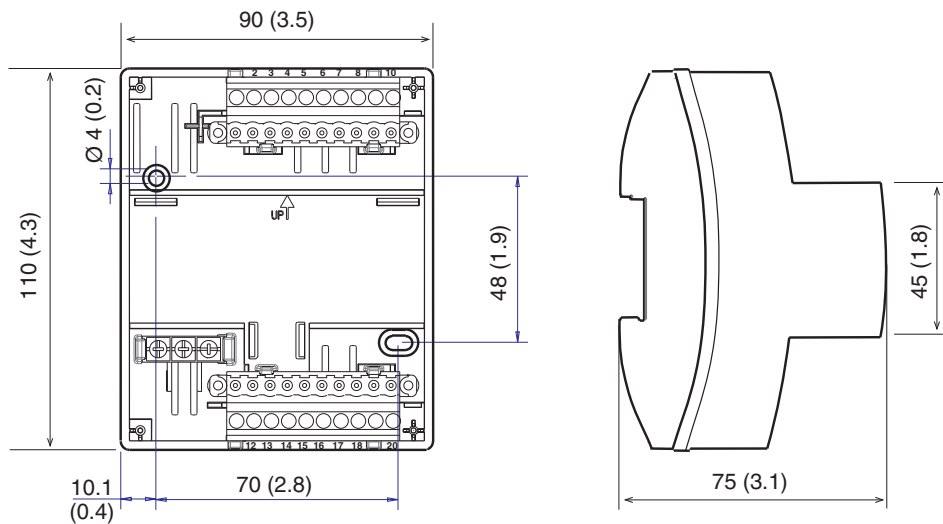
OFL-3956-004

Web Server, Web Server for I/NET, Installation instruction
Comm Devices, and LonWorks® Gateway



*Only relevant to devices based on hardware 2 (HW 2)

mm (in.):



For information on how to configure and engineer TAC Xenta devices, please refer to the documentation for each respective product.

TAC Xenta® and the TAC logotype are registered trademarks of TAC AB in Sweden and other countries.
LON®, LONWORKS®, and Neuron® are registered trademarks of Echelon Corp., California, USA.

Blank page.



TAC AB, Jägershillgatan 18, SE-213 75 MALMÖ, SWEDEN, +46 40 38 68 50 (vx), tac.com