

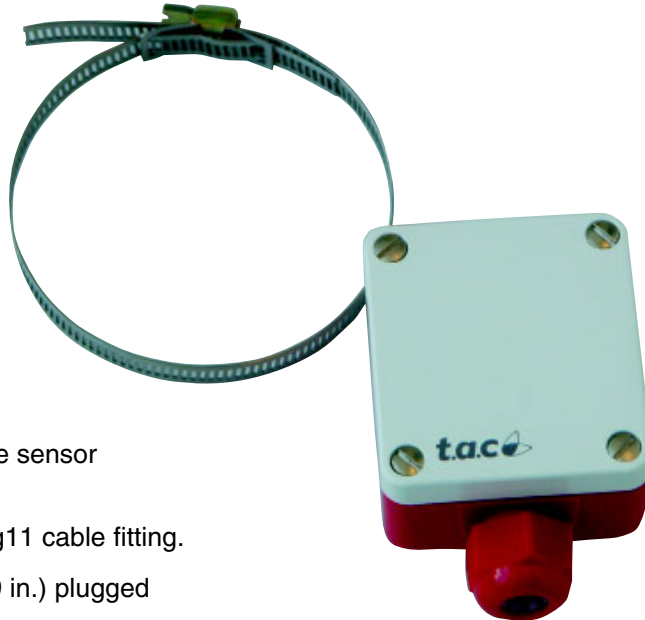


# STC100, STC101

D-12-31

Pipe contact Temperature Sensor  
NTC 1.8 kohm

16 Feb 2005



The STC100, STC101 is a temperature sensor designed for surface pipe mounting.

STC100 housing is equipped with a Pg11 cable fitting.

STC101 housing has a  $\varnothing 20$  mm (0.79 in.) plugged hole for the cable.

## TECHNICAL SPECIFICATION

### Part number:

STC100 ..... 512-3202-000  
STC101 ..... 512-3204-000

Sensor element ..... NTC, 1.8 kohm at +25 °C (77 °F)

Time constant ..... approx. 66 s

Accuracy .....  $\pm 0.3$  °C at 25 °C

### Materials:

Connection box ..... polyamide plastic

Enclosure rating ..... IP 65

Dimensions (in mm) ..... according to figure

Weight ..... 115 g (0.25 lb)

Ambient temperature ..... min. -40 °C (-40 °F)

max. +130 °C (+266 °F)

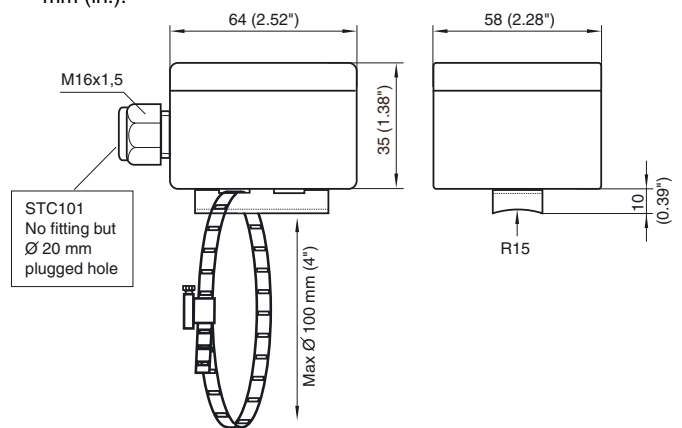
Operating temperature ..... min. -40 °C (-40 °F)

max. +130 °C (+266 °F)

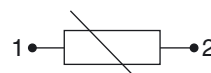
### Standards:

EMC ..... EN 50081-1, EN 50082-1

mm (in.):



## WIRING



Blank page