

SLR310 is an electronic light transmitter that converts a lux measurement into an electric signal 0-10 V.

It has two sensitivity ranges to suit different light levels: 0-400 lx (e.g. for controlling outdoor lighting) and 0-20 klx (for controlling sunshade systems).

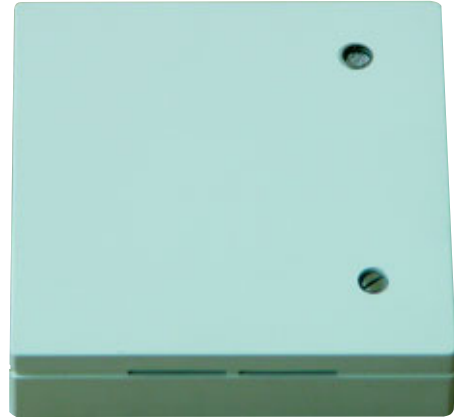
The transmitter is delivered as a complete unit, comprising the sensing element, an amplifier mounted in a housing.

The transmitter is intended for wall mounting indoors.

The sensitivity peak is for light at an angle of incidence of 0° to the perpendicular. The sensor has the same spectrum sensitivity peak as the human eye.

The transmitter is delivered as a complete unit, comprising a junction box with amplifier and sensor.

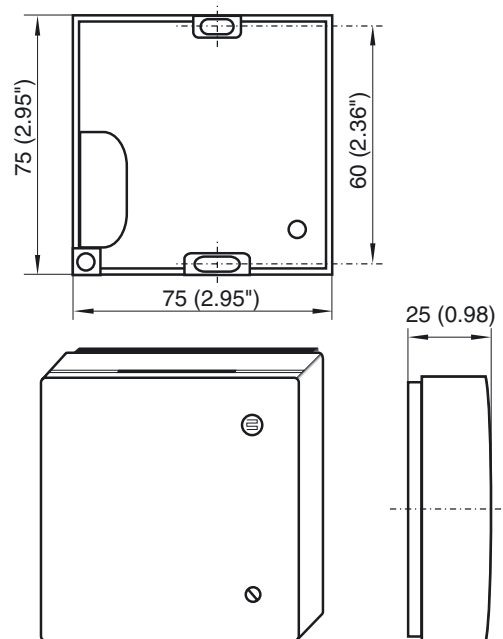
The transmitter shall be connected with a 3-wire cable.



TECHNICAL SPECIFICATION

Part number	0-069-2060-0
Range	Jumper : 0-400 lx Jumper: 0-20 klx
Signal output	0-10 V
Materials:	
Housing	plastic ABS/polycarbonate
Enclosure rating	IP 30
Dimensions (in mm)	according to figure
Weight	50 g, weight, incl standard packing, in brackets
Power	24 Vac +/- 10%, 15-36 VDC
Accuracy	±5%
	at ambient temp of 25°C and $U_G = 24$ V DC
Wave length at max. sensitivity	600 nm (standard light A/2854K color temp.)
Temperature dependence	±0,05%/°C
	at ambient temp. of 25 °C and $U_G = 24$ V
Load resistance:	> 50 kohm
Current consumption, typical:	
Range 0 -400 lx	8 mA
Range 0 - 20 klx	13 mA
Ambient temperature	min. -20 °C (-4 °F) max. +70 °C (158 °F)
Standards:	
EMC	EN 50081-1, EN 50082-1

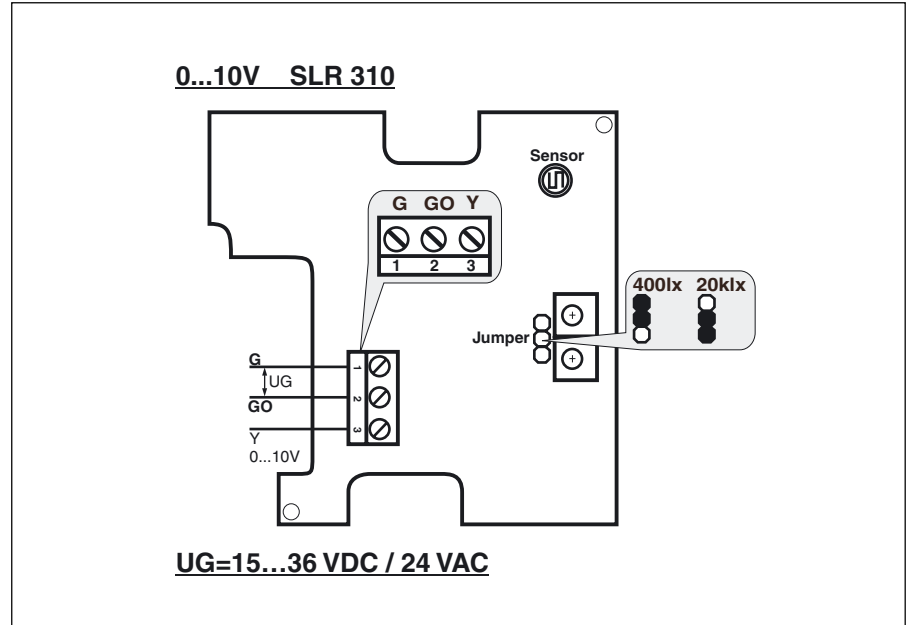
Dimensions in mm (inches)



WIRING

Cable: 0.2-1.5 mm².

Note! Avoid contact with the sensor terminals if the connection wires are live.



ADJUSTMENT

The unit is supplied ready calibrated with a specified range and precision.

No further calibration is normally required.

Trademarks and registered trademarks are the property of their respective owners.
TAC Vista®, TAC Menta®, TAC Xenta® and TAC I-talk® are registered trademarks of TAC AB. LonMark® and LonWorks® are registered trademarks of the Echelon Corporation.
Windows® is a registered trademark of Microsoft.

www.tac.com