



AIR DUCT THERMOSTATS

DBTZ

FUNCTION

Temperature monitoring in air or non aggressive gas ducts.
Temperature monitoring and safety protection with manual reset (double models) and signal contact.

APPLICATIONS

Well-suited for heating, cooling and air conditioning systems and general applications in domestic and industrial areas.

TYPE	RANGE 1 °C	RANGE 2 °C	HYSTERESIS RANGE 1 K	HYSTERESIS RANGE 2 K	MAX. BULB TEMP. °C	FUNCTION
DBTZ-060	0...+60		3±1		75	TR
DBTZ-090U	0...+90		3±1		120	TW
DBTZ-3090	+30...+90		3±1		120	TR
DBTZ-50140	+50...+140		5±1		150	TR
DBTZ-R6585	+65...+85		20±5		120	STB
DBTZ-R90110	+90...+110		20±5		120	STB
DBTZ-RM100	96		20±5		120	STB
DBTZ-R100	100		20±5		120	STW
DBTZ-060R85	0...+60	+65...+85	3±1	20±5	120	STB+TR
DBTZ-06060	0...+60	0...+60	3±1	3±1	75	TR + TR
DBTZ-09090U	0...+90	0...+90	3±1	3±1	120	TW + TW
DBTZ-309090	+30...+90	+30...+90	3±1	3±1	120	TR + TR
DBTZ-3090R85	+30...+90	+65...+85	3±1	20±5	120	STB+TR
DBTZ-3090R110	+30...+90	+90...+110	3±1	20±5	120	STB+TR
DBTZ-3090R100	+30...+90	100	3±1	20±5	120	STW+TR
DBTZ-3090RM100	+30...+90	96	3±1	20±5	120	STB+TR

TR with SPDT contact
TW with knob under the cover, SPDT contact
STB with manual security reset, SPDT contact
STW with automatic security reset, SPDT contact

Accessories:

The thermostats are factory supplied with protection spring and mounting bracket model DBZ-25.

TECHNICAL FEATURES

Sensitive element: liquid-filled coiled copper bulb with 200 mm protection spring and mounting bracket

Contacts: dust-tight microswitches with SPDT contacts (heat/cool)

Switch capacity: 16 (4) A, 250 Vac
6 (1) A, 400 Vac

Differentials: see schedule

Working: -35...+65 °C
10...90% r.h. (non condensing)

Storage: -20...+70 °C
< 95% r.h.

Housing: Byblend base, ABS cover
double models: sealed ABS

Protection: IP54, class I

Size: 108 x 70 x 72 mm or 132 x 88 x 70 mm

Weight: 690 g

Note

The range may be calibrated by tuning carefully the hexagon nut under the knob (fig. 1).

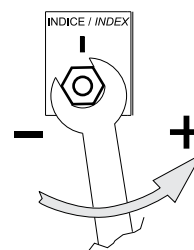
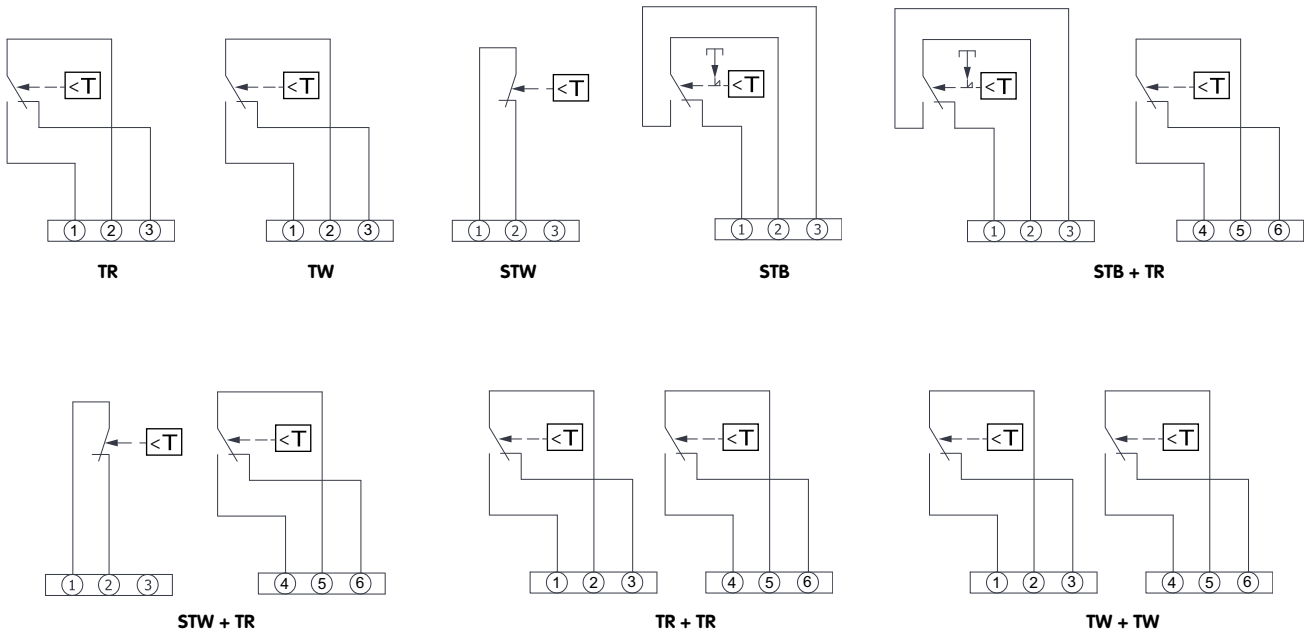


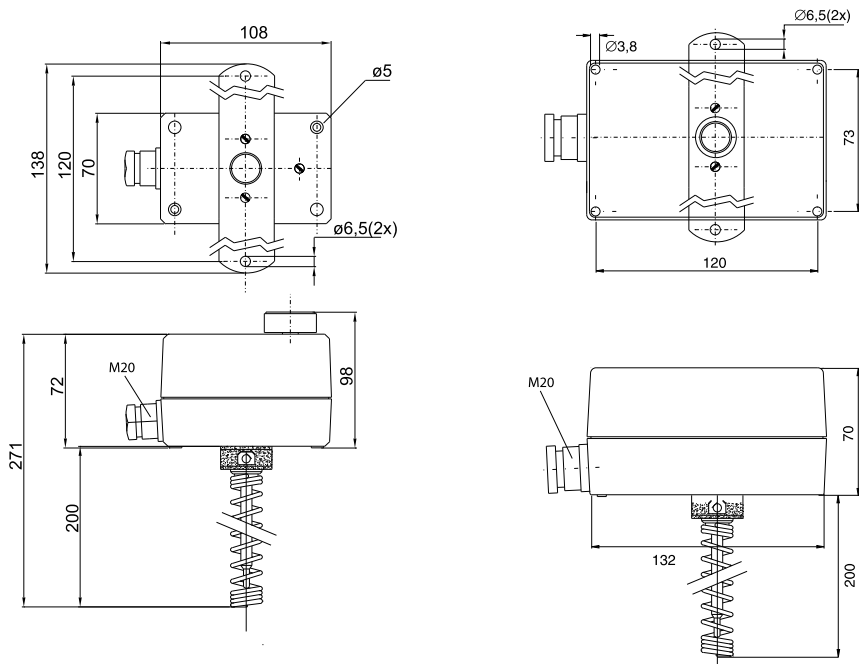
fig. 1



ELECTRICAL WIRING



DIMENSIONS (mm)



One range model

Double range model

