



# ROOM THERMOSTATS FOR FAN COIL WITH 2 PROPORTIONAL OUTPUTS FOR 4- PIPE SYSTEM AND HEATING RELAY OUTPUT WITH ECONOMY FUNCTION

DB-TA-3A8..A

## FUNCTION

Temperature control in heating, ventilation, refrigeration and air conditioning for typically 4- pipe fan coil systems with proportional valves.

- 1 heating relay output
- 2 proportional outputs 0...10 Vdc with dead zone
- manual selection of On/Off, 3 fan speeds
- economy function

The thermostat is provided with a LCD display and keys +/- for parameters setting like the range, the neutral zone, proportio-

nal heating and cooling bands and economy mode. When the thermostat is on the fan is on at the speed selected manually and the proportional outputs are set according to parameters setting. The relay is activated if heating function is required when the maximum heating voltage output has been reached but not the temperature required.

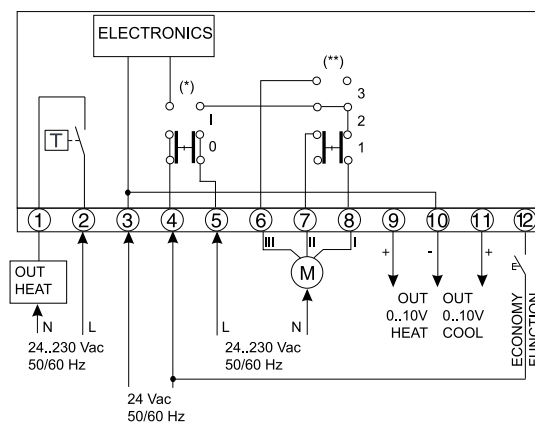
In addition an economy function is available with a remote contact. When the contact is closed the thermostat works with an economy mode.

| TYPE          | ON/OFF | 3- SPEED | DEAD ZONE K |
|---------------|--------|----------|-------------|
| DB-TA-3A8-13A | •      | •        | 1...4       |
| DB-TA-3A8-03A |        | •        | 1...4       |
| DB-TA-3A8-10A | •      |          | 1...4       |
| DB-TA-3A8-00A |        |          | 1...4       |

## TECHNICAL FEATURES

- Power supply:** 24 Vac  $\pm$  10%, 50/60 Hz  
**Input:** external contact for economy function  
**Outputs:** valves: 2 prop. outputs 0...10 Vdc ( $R_L > 10$  kOhm)  
 1 relay 6 A 250 Vac  
 speeds: 6 A at 24...230 Vac  $\pm$  10%, 50/60 Hz  
**Power cons.:** 1 W  
**Sensor:** NTC 10K  
**Range:** +5...+30 °C  
**Differential:** 0.4 K (relay)  
**Prop. band:**  $\pm$  0,5... $\pm$  2,5 K  
**Economy:** adjustable range between +5...+30 °C  
**Display:** resolution 0.1 °C  
**Working:** 0...+40 °C  
 10...90% r.h. (non condensing)  
**Storage:** -20...+70 °C  
 < 95% r.h.  
**Housing:** ABS self-extinguished according to UL94 V-0 color (RAL 9010)  
**Protection class:** IP30, class II  
**Size:** 144 x 82 x 34 mm  
**Weight:** 220 g

## ELECTRICAL WIRING



ECONOMY FUNCTION contact closed: economy function selected  
 ECONOMY FUNCTION contact opened: economy function not selected

- (\*) only for models DB-TA-3A8-13A, DB-TA-3A8-10A  
 (\*\*) only for models DB-TA-3A8-13A, DB-TA-3A8-03A

## Logic of proportional output

