



ROOM CONTROLLERS FOR 2- PIPE SYSTEMS

DBTA-323

FUNCTION

2-pipe systems (typically fan coil) control for room temperature applications with:

- knob for temperature setting
- 1 relay output;

- manual selection for On/Off, 3 motor speed, season change over (depending on models);
- internal or remote temperature sensor (optional).

TYPE	ON/OFF	3- SPEED	LOCAL S/W	REMOTE S/W
DB-TA-323-435 (*)	•	•		•
DB-TA-323-199	•			
DB-TA-323-995				•
DB-TA-323-998			•	

On request:

optional 1 m cable remote sensor, selectable by jumper; ordering code: NTB010-623 (for DB-TA-323-435 -> NTA010-623).

(*) for DB-TA-323-435 switch off/fan based on temp./continuous fan.

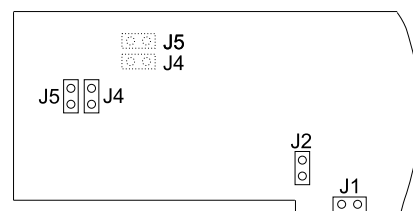
TECHNICAL FEATURES

Power supply:	24/230 Vac ± 10%, 50/60 Hz
Max load:	6 A
Output:	1 SPDT relay 24/230 Vac 6 A
Power cons.:	1 W
Sensor:	thermoresistor NTC 100K (for DB-TA-323-435 -> NTC 10K)
Setpoint:	+5...+30 °C; mechanical limitation of the setpoint adjustment
Differential:	0.5 K
Working:	0...+40 °C
	10...90% r.h. (non condensing)
Storage:	-20...+70 °C
	< 95 % r.h.
Housing:	ABS self-extinguished according to UL94 V-0 color (RAL 9010)
Protection:	IP30, calss II
Dimension:	144 x 82 x 27 mm
Weight:	210 g

JUMPER SETTING:

- J1 closed = internal sensor
- J2 closed = remote sensor
- J4 closed = power supply 24 Vac, 50/60 Hz
- J5 closed = power supply 230 Vac, 50/60 Hz

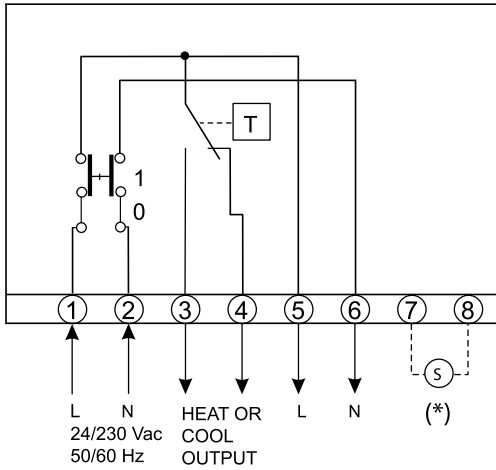
The products are factory supplied with internal sensor and 230 Vac jumper setting.



ELECTRICAL WIRING

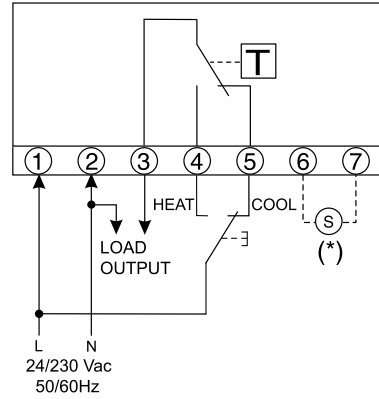
DB-TA-323-199

Terminal connections for heating or cooling systems: the On/Off switch provides power supply to terminals 5 and 6.



DB-TA-323-995

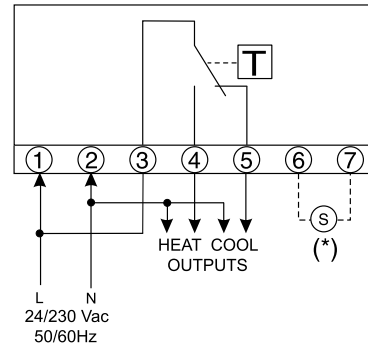
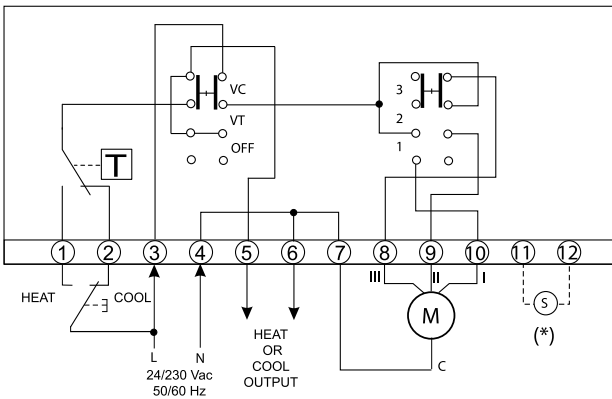
Terminal connections for systems with remote season change over.



Terminal connections for heating or cooling systems.

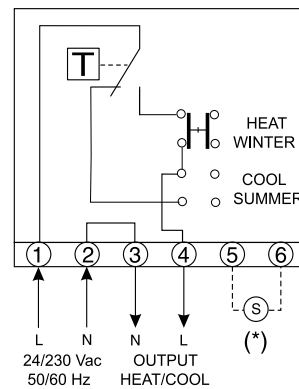
DB-TA-323-435

Terminal connections for heating or cooling systems, with 3 motor speed fan coils. Provided for remote season change over.



DB-TA-323-998

Electrical wiring for heating and cooling systems



(*) remote sensor (optional, see page before)

