



## DAMPER ACTUATORS, 2-, 3- POINT AND PROPORTIONAL CONTROL (5 Nm)

**DAB, DMB**

### FUNCTION

To open or to close small dampers with 2-, 3- point or proportional control.

### APPLICATIONS

Well-suited for applications with small dampers (1.5, 3 m<sup>2</sup>) in ventilation and air handling units.

### FEATURES

- universal adapter for easy mounting
- shaft dimensions Ø 6...16 mm / 5...12 mm square
- minimum shaft length 40 mm
- anti-rotation bracket
- manual override with push-button
- direction of rotation selectable
- angle of rotation adjustable, end of stroke
- Signal control:
  - 2-, 3- point (DAB)
  - 0 (2)...10 Vdc (DMB)

TYPE	POWER SUPPLY	SIGNAL CONTROL
<b>DAB24</b>	24 Vac/dc	2-, 3- point
<b>DAB230</b>	230 Vac	2-, 3- point
<b>DMB24</b>	24 Vac/dc	0...10 Vdc

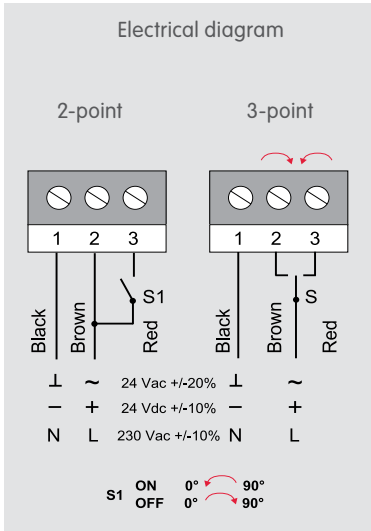
Actuator		<b>DAB24</b>	<b>DAB230</b>	<b>DMB24</b>
Damper area (*)	m <sup>2</sup>	1	1	1
Drive torque	Nm	5	5	5
Power supply		24 Vac/Vdc	230 Vac	24 Vac/Vdc
Frequency	Hz	50...60	50...60	50...60
Power consumption				
- operating	W	2	2	2
- at end stroke	W	2	2	2
Cable		0.9m/0.75 mm <sup>2</sup>	0.9m/0.75 mm <sup>2</sup>	0.9m/0.75 mm <sup>2</sup>
For wire sizing	VA	4	12	4
Running time	s	70...100	70...100	70...110
Weight	g	580	590	600
Control signal		2-, 3- point	2-, 3- point	0(2)...10 Vdc
Feedback signal				0(2)...10 Vdc
rotation angle:				
- operating		90° (95° mechanical)	90° (95° mechanical)	90° (95° mechanical)
- end of stroke limitation		mechanical	mechanical	mechanical
Protection class		III	II	III
Degree of protection		IP54	IP54	IP54
Room temperature		-20 ... +50°C	-20 ... +50°C	-20 ... +50°C
Room humidity		5...95% r.h.	5...95% r.h.	5...95% r.h.
Maintenance		free	free	free
Standards		CE	CE	CE

(\*) the indication of the damper area is not significant, the data that must be taken into account is the value of the torque in N.m

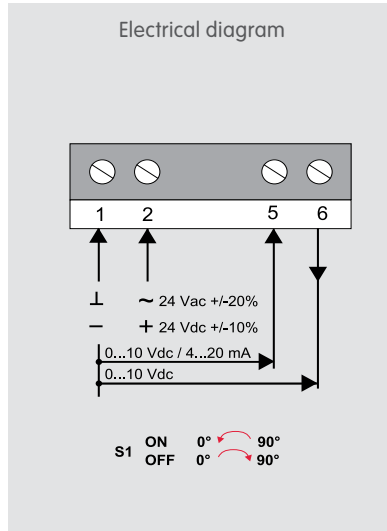


# DAMPER ACTUATORS, 2-, 3- POINT AND PROPORTIONAL CONTROL (5 Nm)

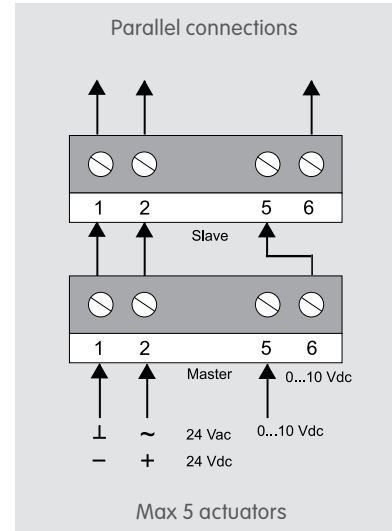
DAB, DMB



DAB



DMB



DMB

## Direction of rotation setting

The sense of rotation can be changed by changing the position of switch CCW/CW on the cover.

## Signal control selection (DMB)

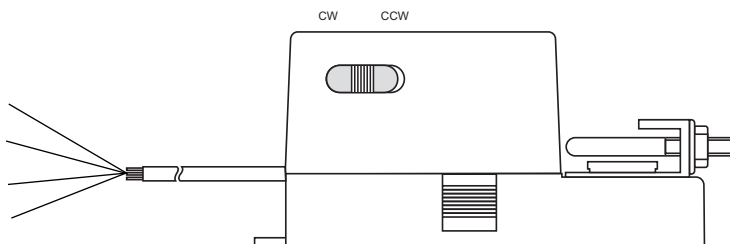


Signal control 0...10 Vdc  
Impedance ( $R_{in}$ ) 100 kOhm



Signal control 2...10 Vdc  
Impedance ( $R_{in}$ ) 100 kOhm

To modify the jumper setting open the cover.

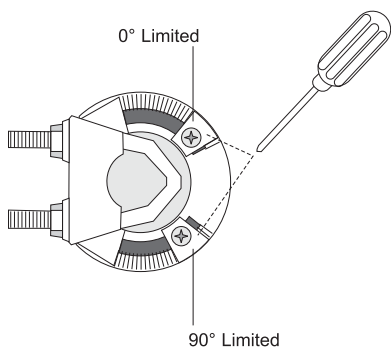


# DAMPER ACTUATORS, 2-, 3- POINT AND PROPORTIONAL CONTROL (5 Nm)

DAB, DMB

## LIMITATION OF ROTATION ANGLE

1. Unscrew the 2 screws of mechanical limiting device
2. Position the limiting device on position required



## DIMENSIONS (mm)

