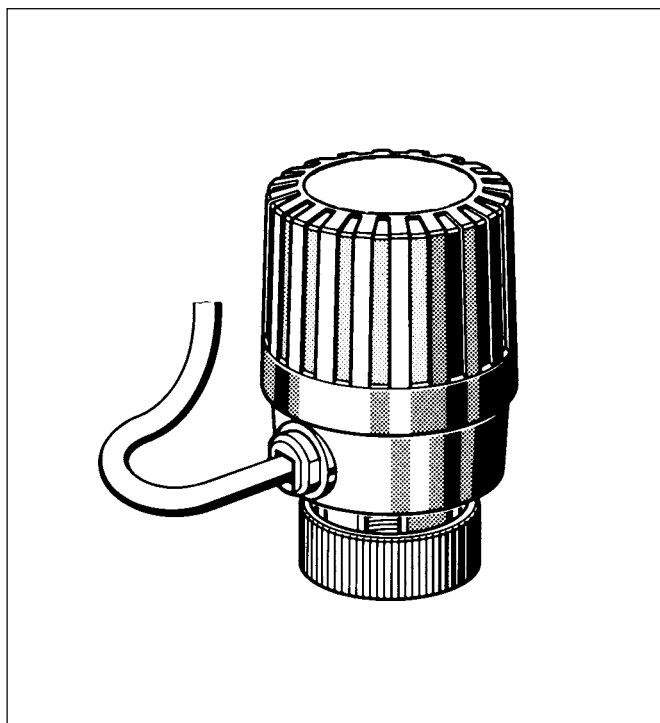


M4450 A/M8450 A THERMOELECTRIC ACTUATOR

PRODUCT SPECIFICATION SHEET



Application

The M4450 A/M8450 A actuators are specifically designed to provide on/off (two-position) control for sizes DN 15 and DN 20 of the V5822 A, V5823 A/C, V5832 A, V5833 A/C, range of small linear valves.

The actuators are used in fan-coil-units, induction units, and small reheaters and recoolers using hot and/or cold water as the controlled medium in an electronic temperature control system. They are fully compatible with all controllers providing an on/off output signal.

The actuator is designed for ease of installation even in applications where space is limited.

Features

- Small size allows installation where space is limited
- Reliable longterm operation
- Easy to mount on valve; no tools required
- Noiseless operation
- Supplied with prewired connection cable
- Overload protection for 230 V version

Operation and Mounting

The movement of the thermoelectric actuator is produced by the expansion and contraction of a wax element which is heated through electric resistance.

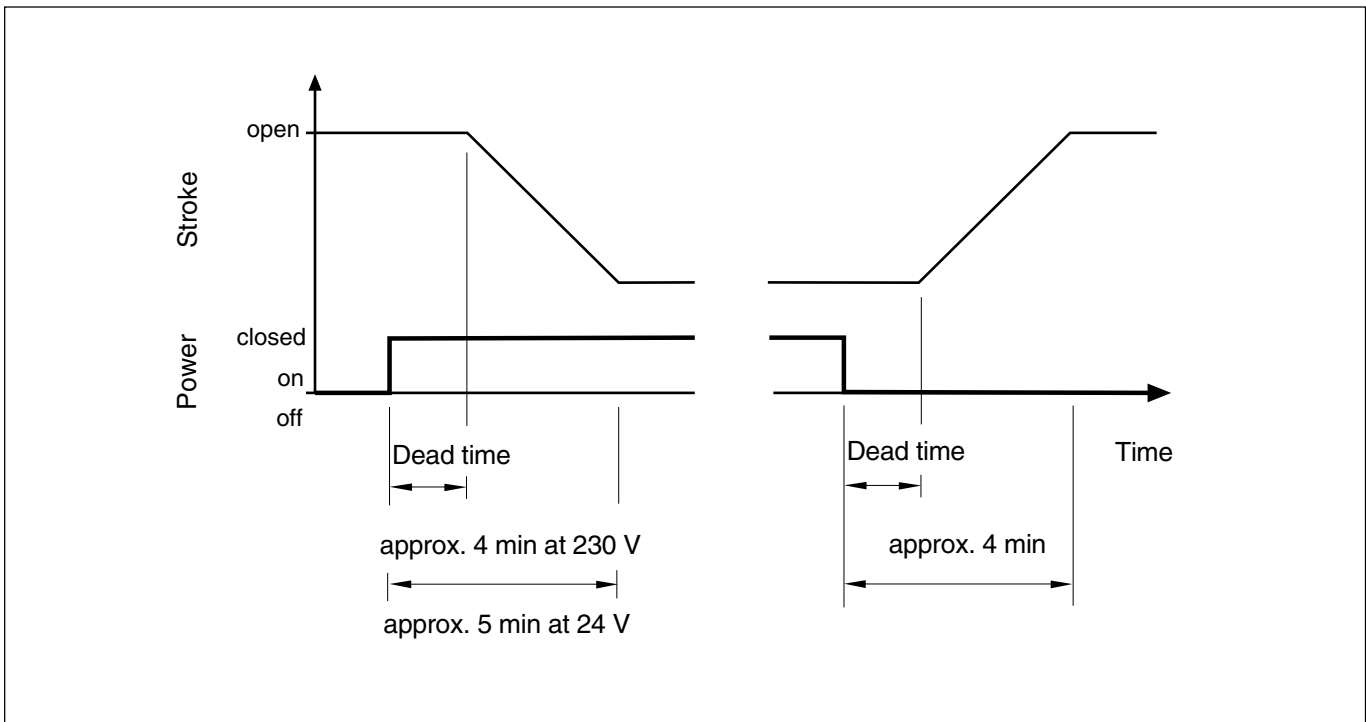
Before the actuator is fixed for the valve, the valve adjustment cap must be removed. The actuator can then be easily and quickly mounted on the valve by screwing on the coupling.

The actuator will be normally open with the two-way valves V5822 A and V5832 A and normally closed on the controlled ports (A-AB) with the three-way valves V5823 A/C, V5833 A/C.

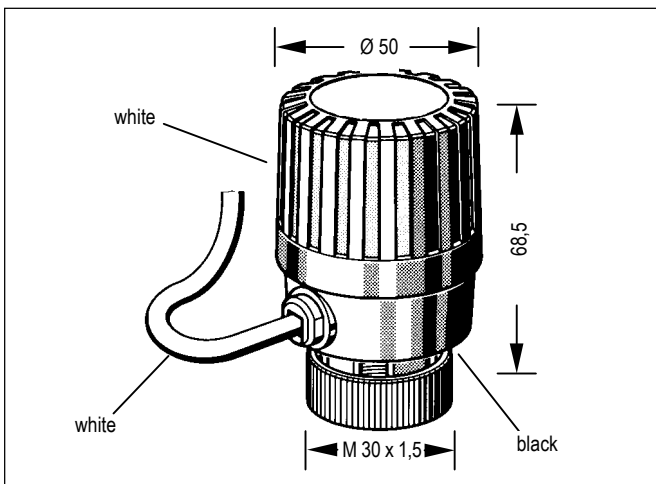
Specifications

Power Supply	230 V – 50/60 Hz (M4450 A) 24 V – 50/60 Hz (M8450 A)
Initial current:	(230 V or 24 V) 230 V: 0.3 A 24 V: 0.6 A
Permanant current:	230 V: 0.013 A 24 V: 0.09 A
Power consumption:	3 Watt
Connection cable:	2-pole, 2.5 m long
Maximum stroke:	8 mm
Stem force:	96 N
Ambient temperature:	max. 50 °C
Protection standard:	IP 43 for vertical installation, actuator pointing upwards IP 40 for horizontal installation
Opening time:	4 min (230 V) 5 min (24 V)
Closing time:	dependent on heating time of actuator (see diagram)
Suitable valves:	V5822 A, V5823 A/C, V5832 A, V5833 A/C

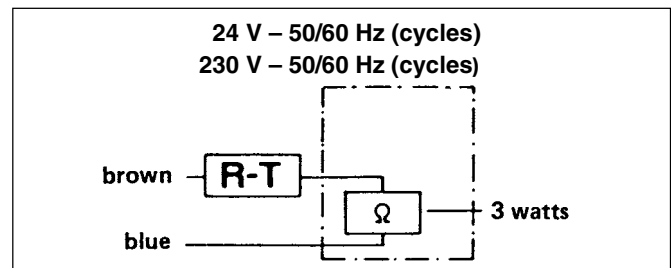
Opening and Closing Times (ambient temperature 20 °C)



Dimensions and Colors



Wiring Diagram



Ordering numbers

Supply voltage	O.S.Number
230 V	M4450 A 1009
24 V	M8450 A 1000

Honeywell

Home and Building Control

Honeywell AG
 Hardhofweg · D-74821 Mosbach, Germany
 Phone (49) 6261 81-0 · Fax (49) 6261 81-309

<http://europe.hbc.honeywell.com>